

1
TV-2700



B
Part No.

Sign

Data



TV-2700

2700

450

A

A

B

B

450

500

70

50

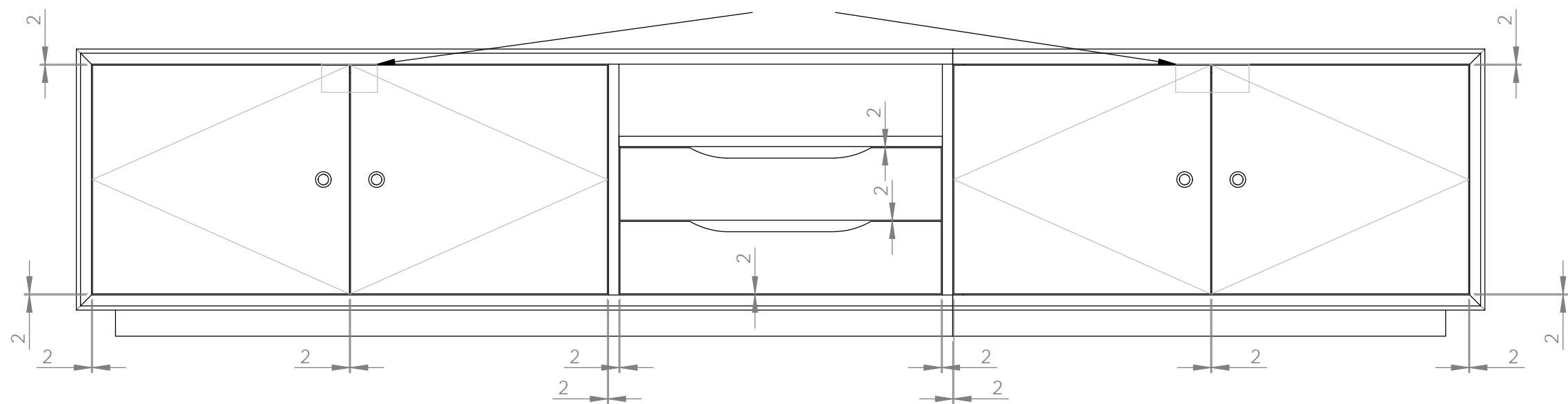
B

Part No.

B

Sign

Data



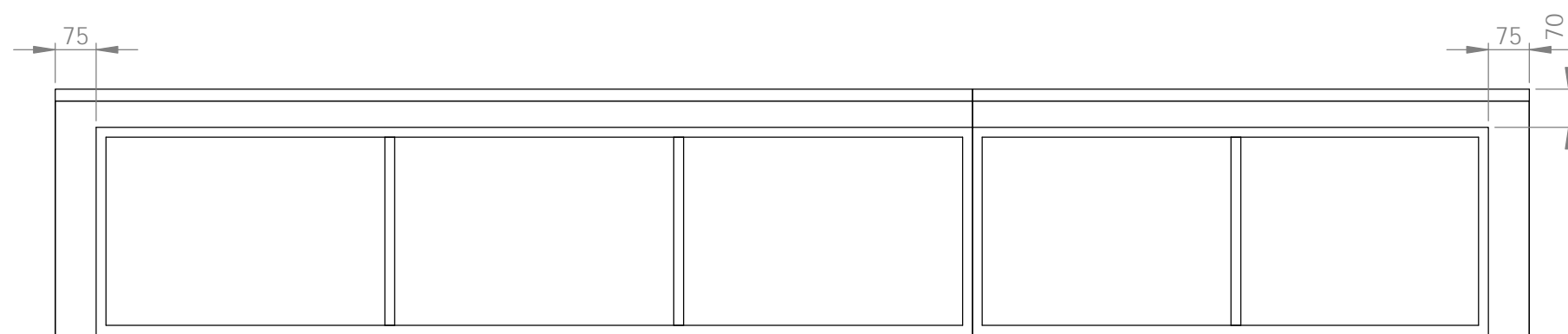
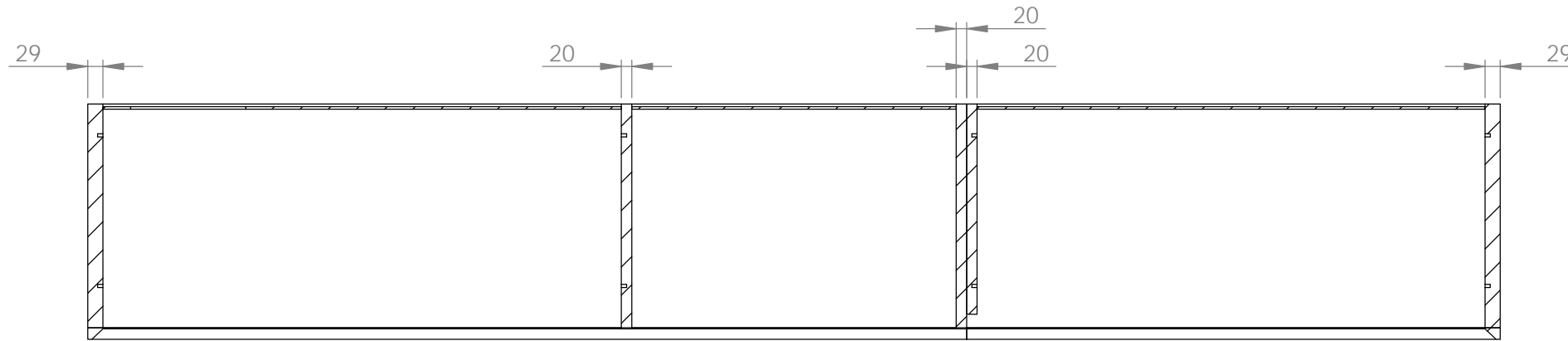
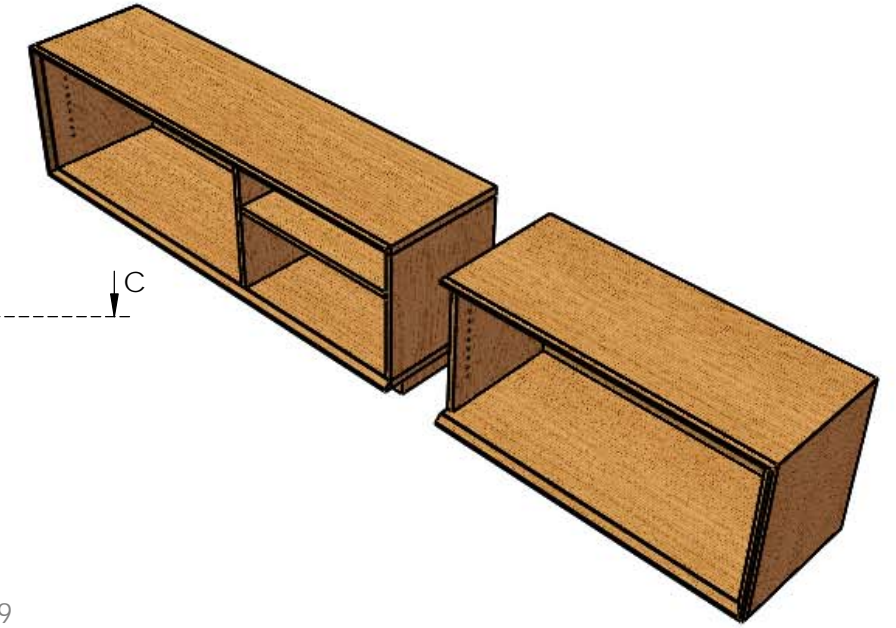
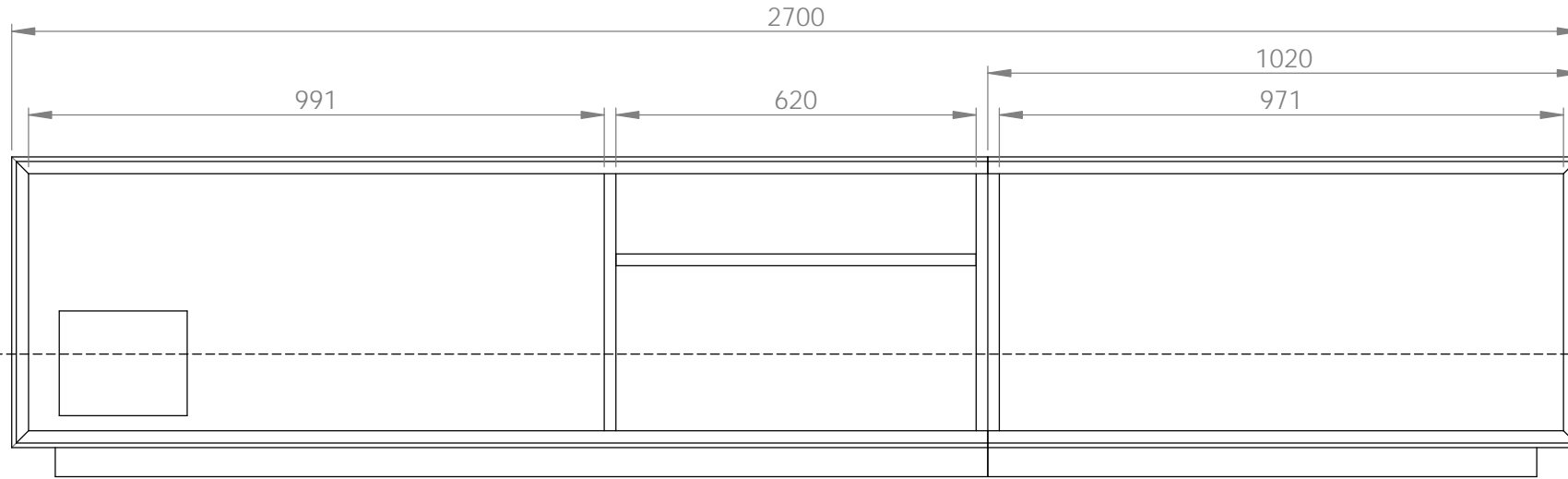
1

2

3

4

TV-2700



B

B

Part No.

Sign

Data



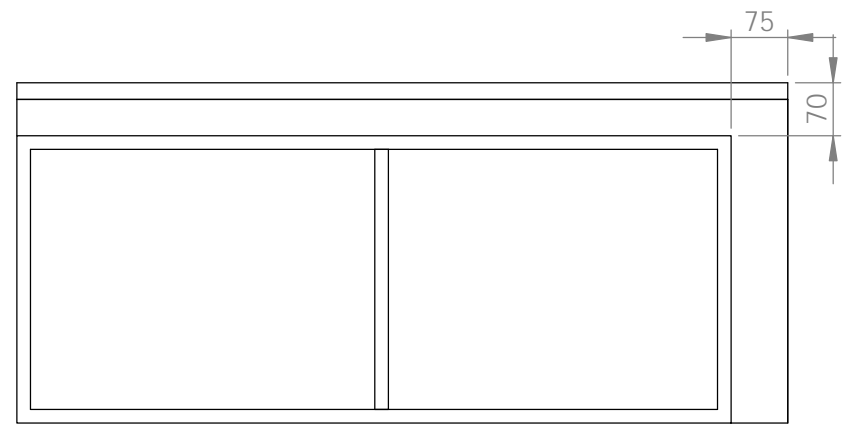
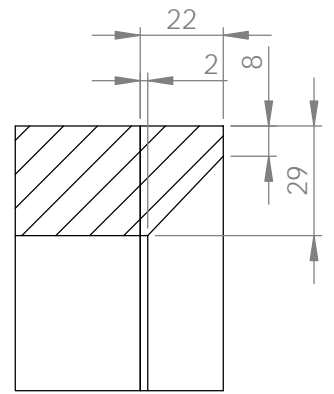
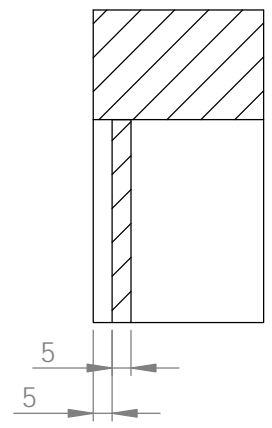
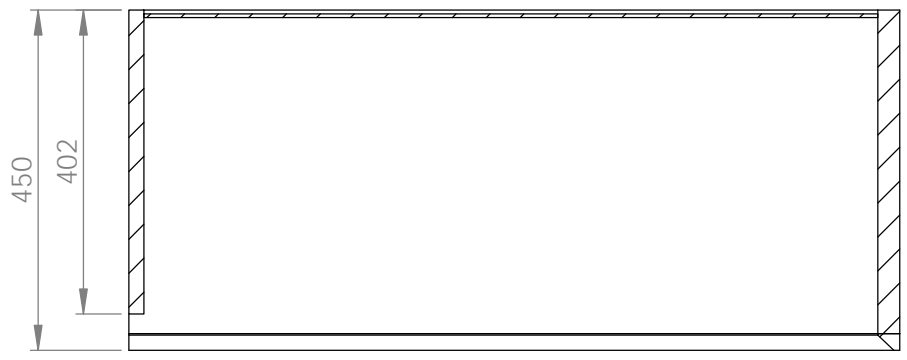
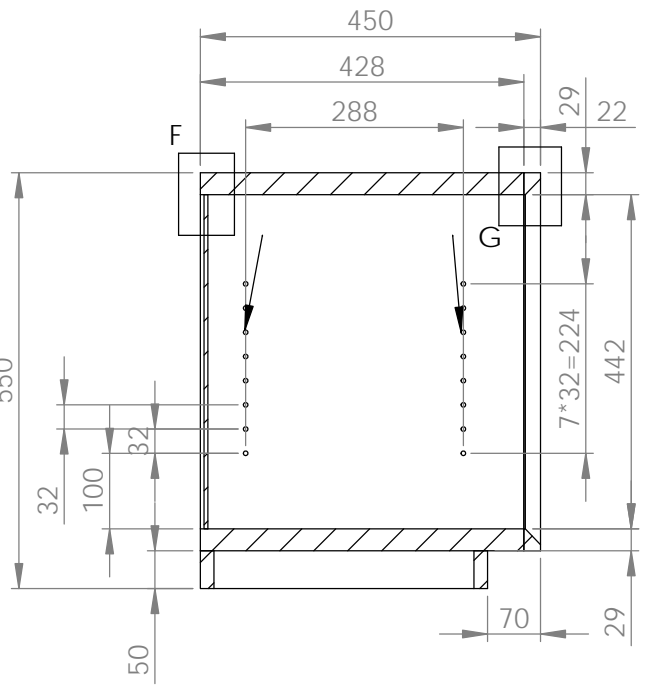
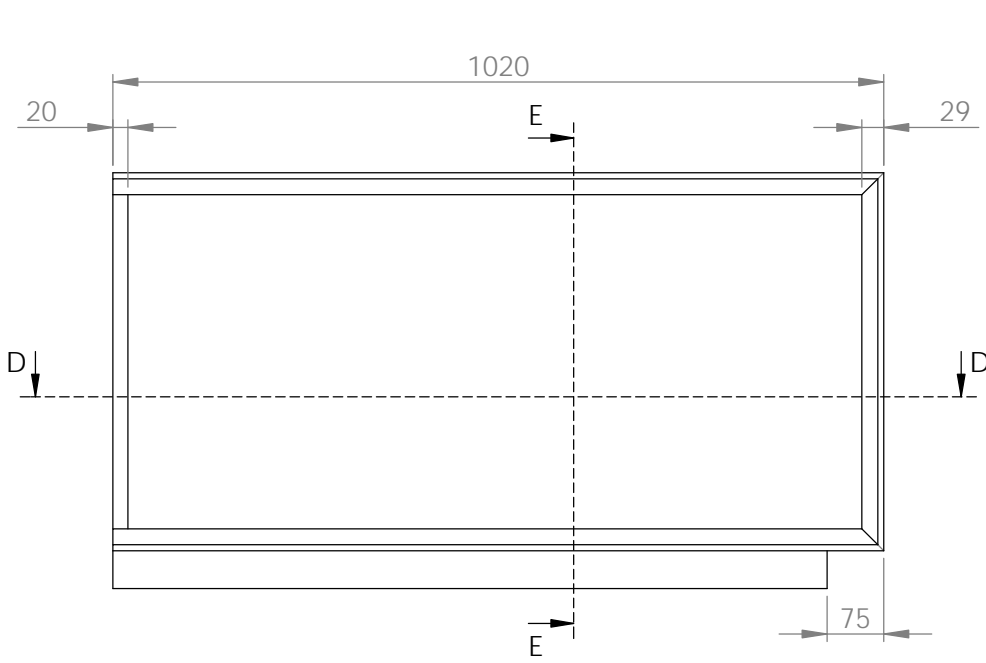
1

2

3

4

TV-2700



A

A

B

B

Part No.

Sign

Data



1

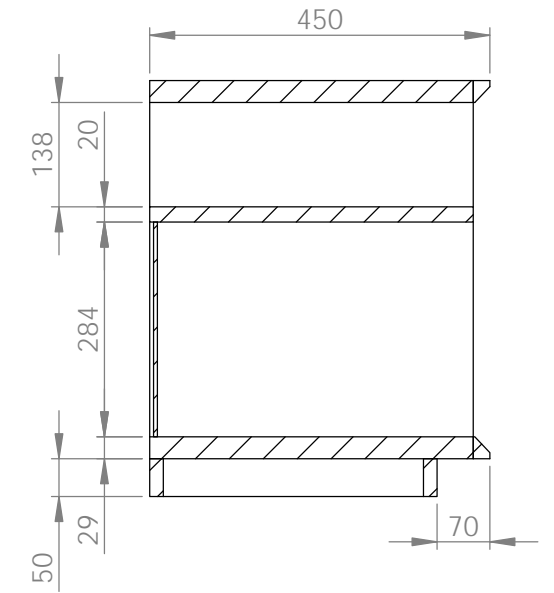
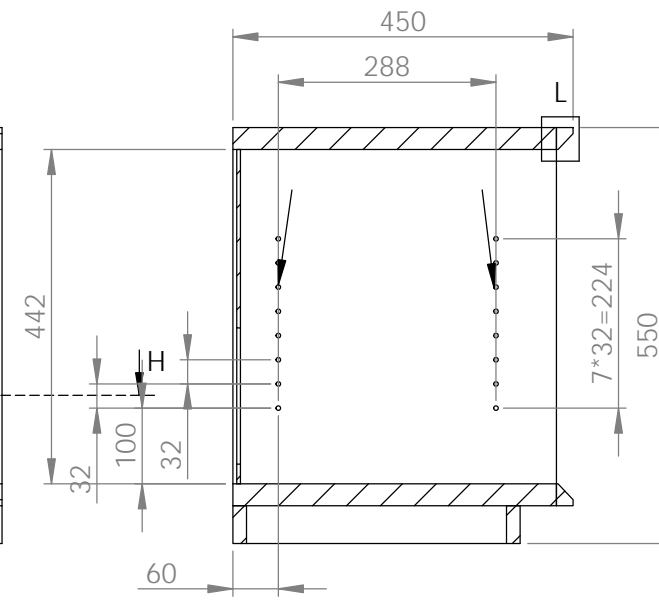
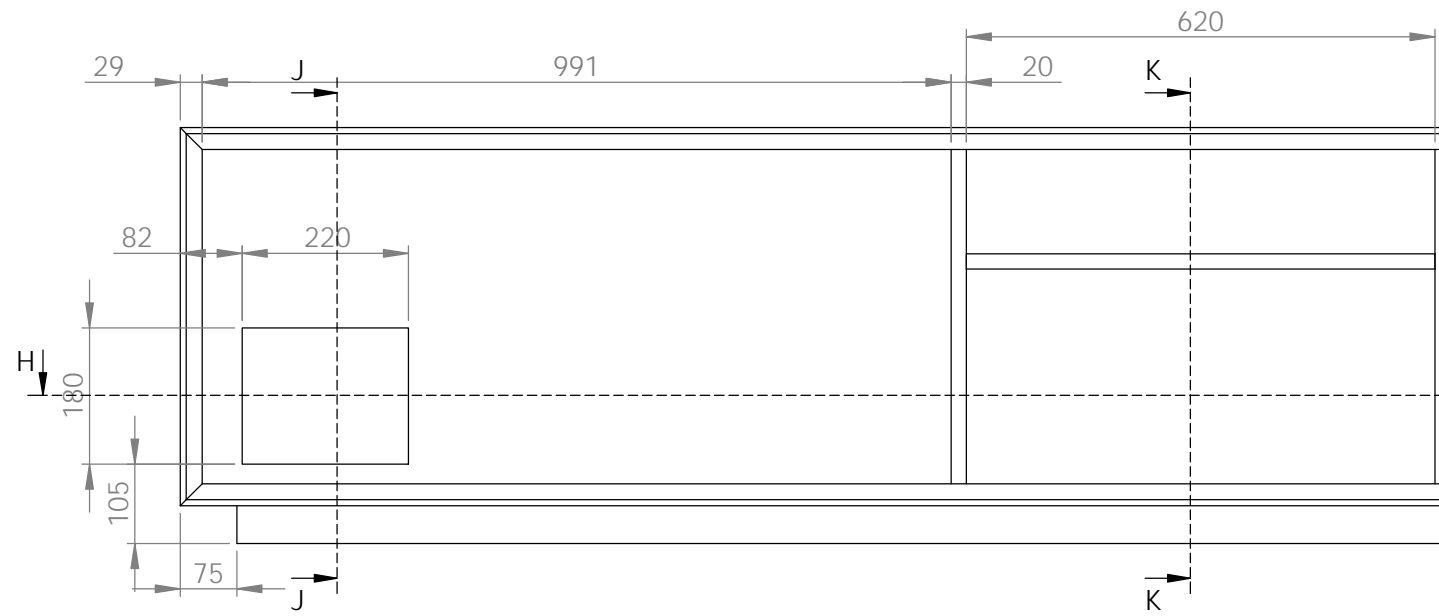
2

3

4

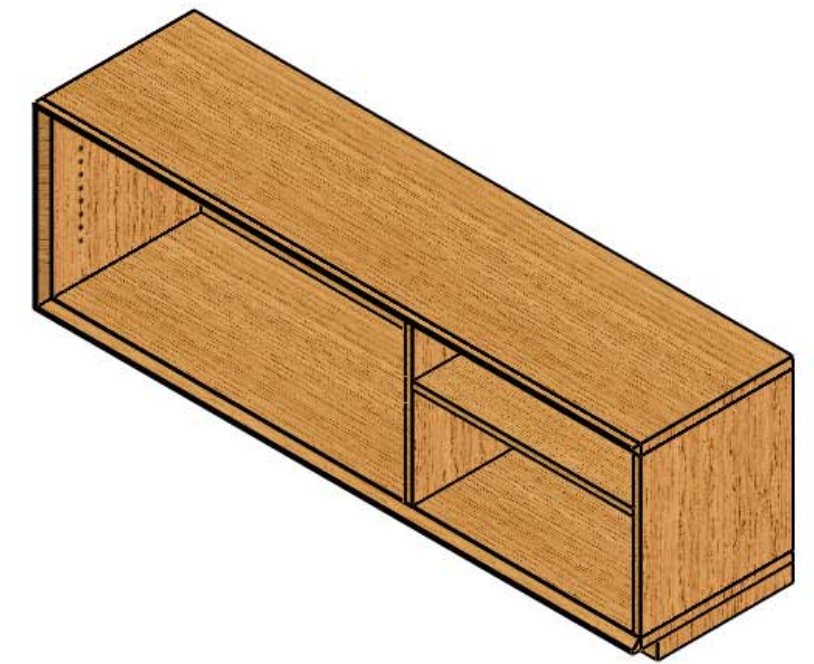
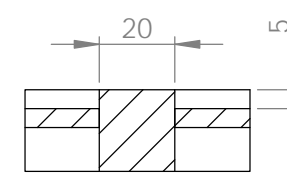
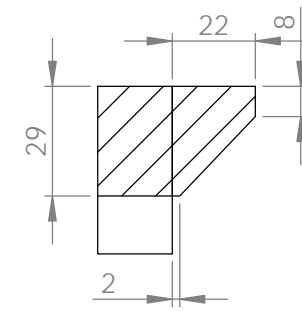
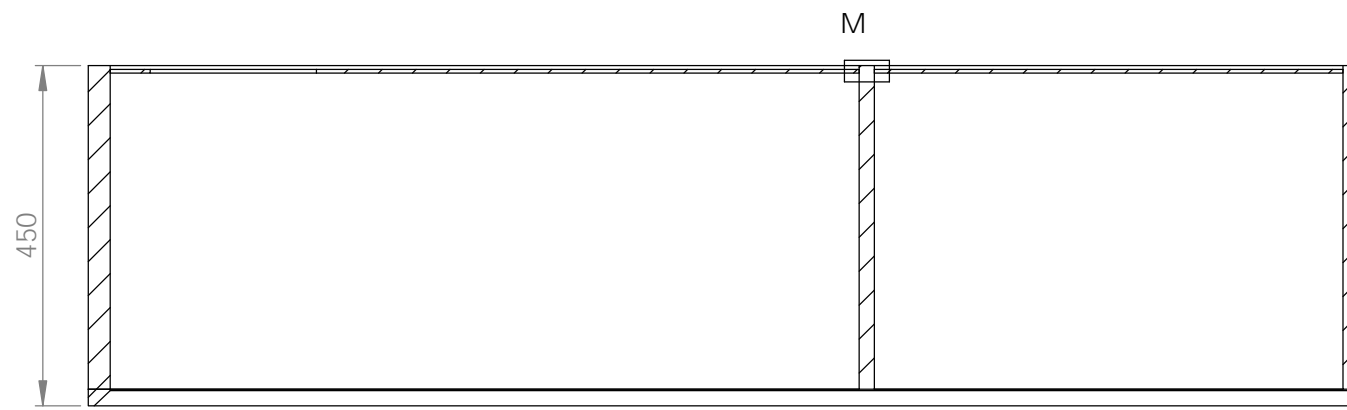
TV-2700

A



B

Part No.



Sign

Data

1

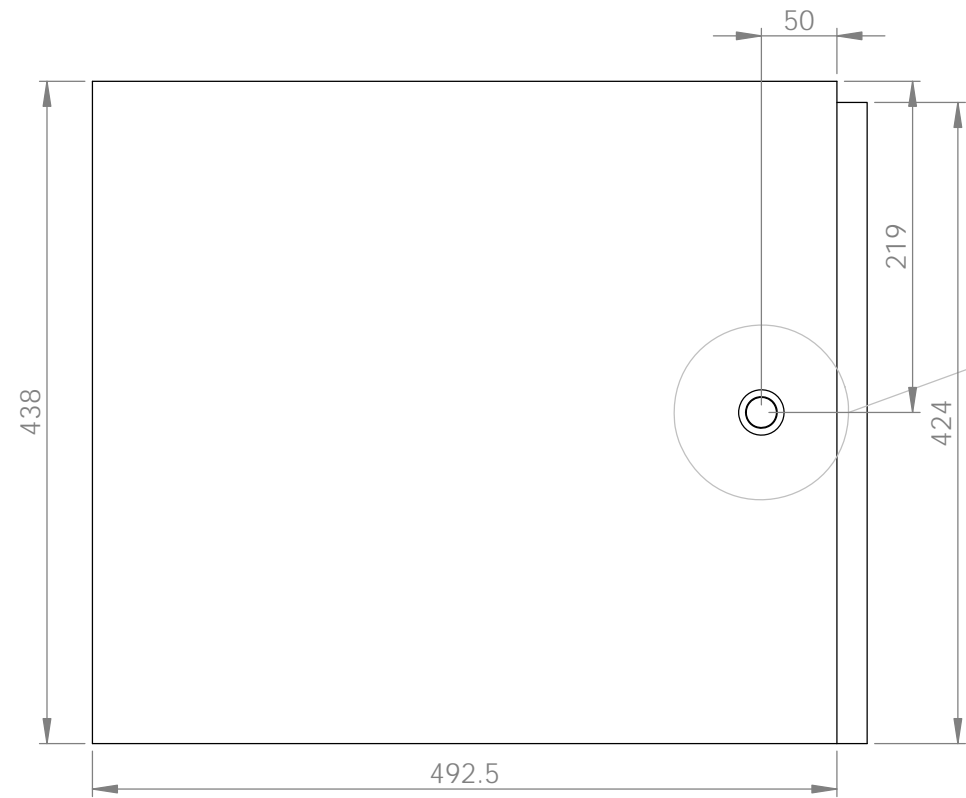
2

3

4

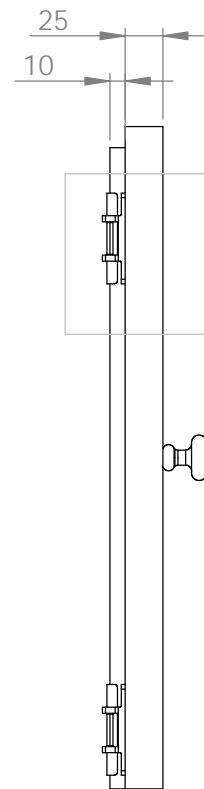
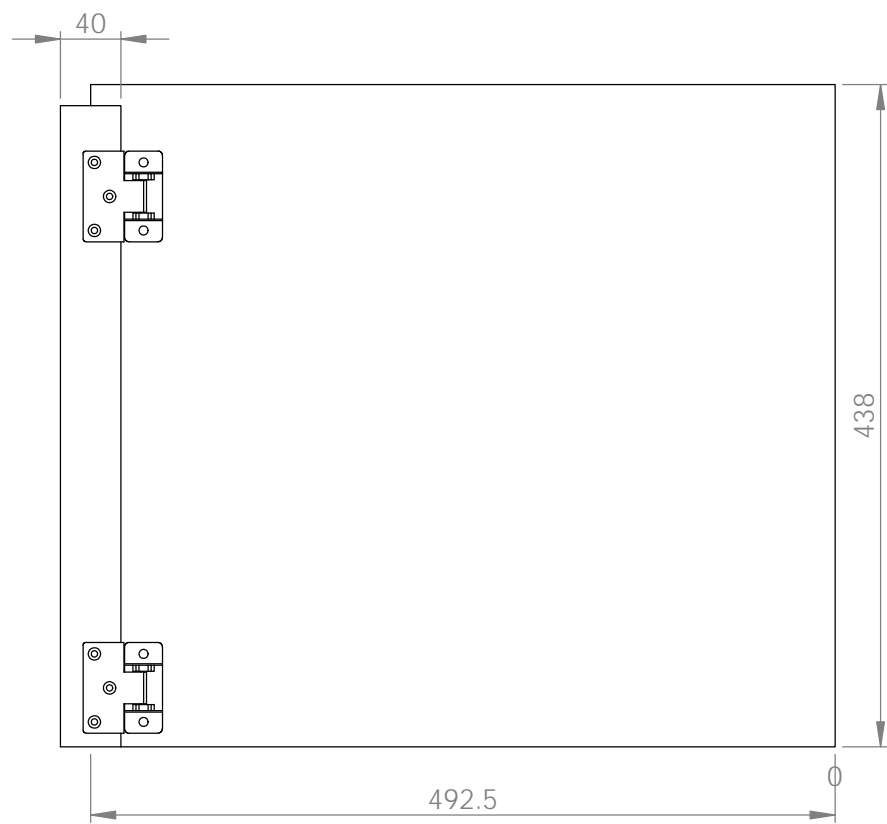
TV-2700

A



B

Part No.



Sign

Data

1

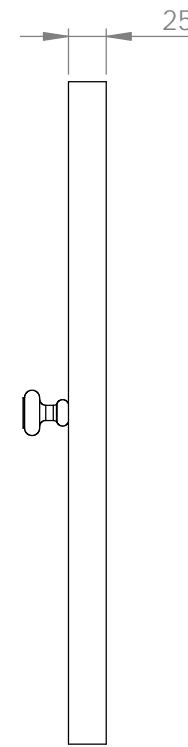
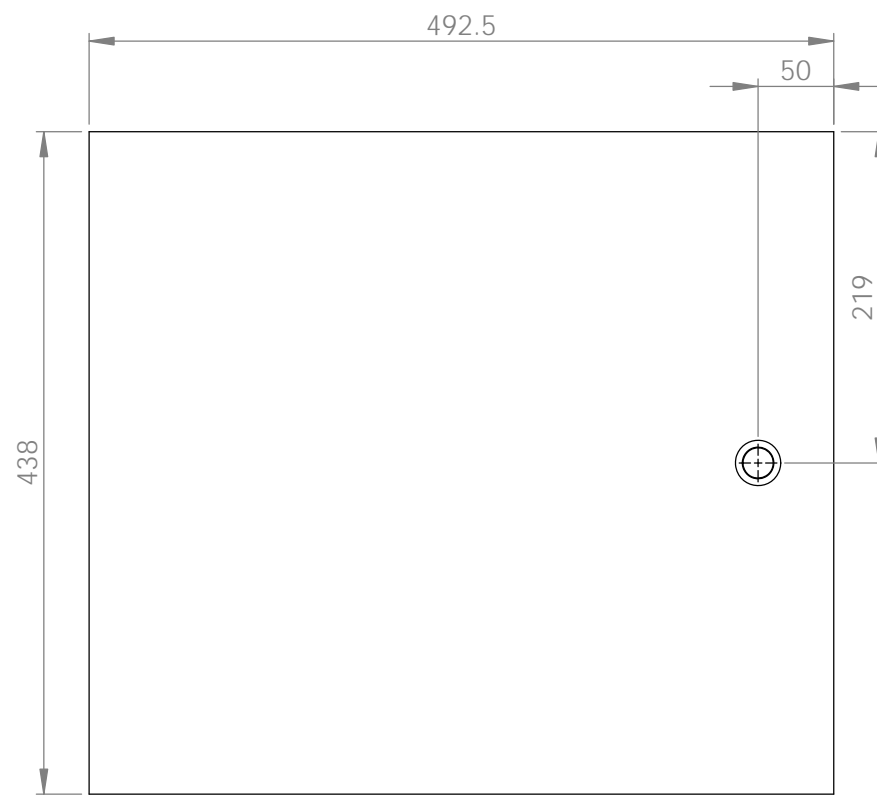
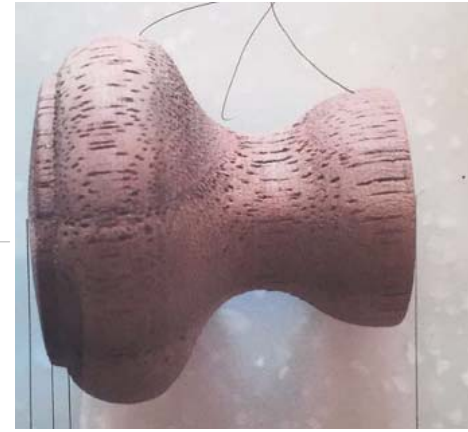
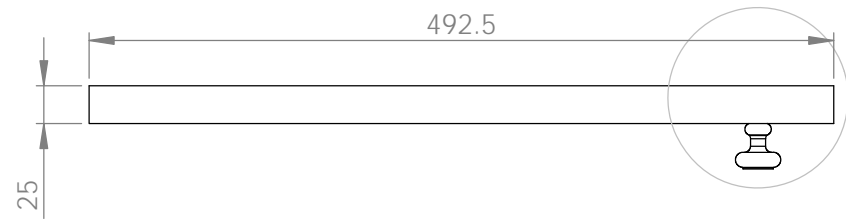
2

3

4



TV-2700



A

A

B

B

Part No.

Sign

Data



1

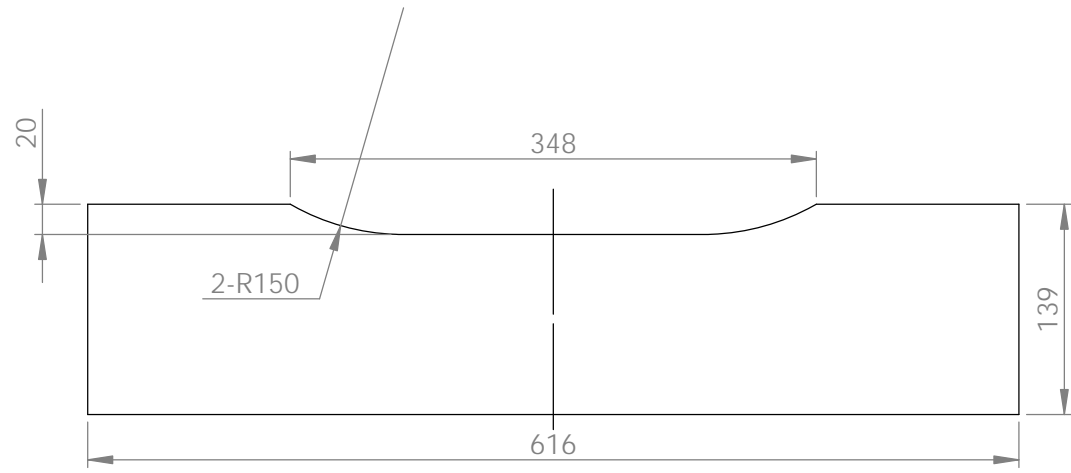
2

3

4

TV-2700

A

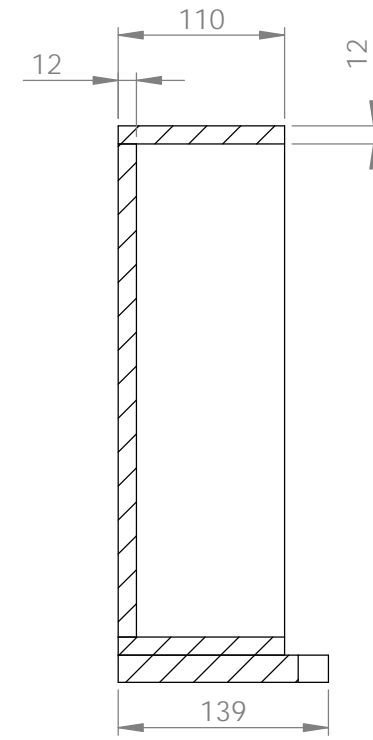
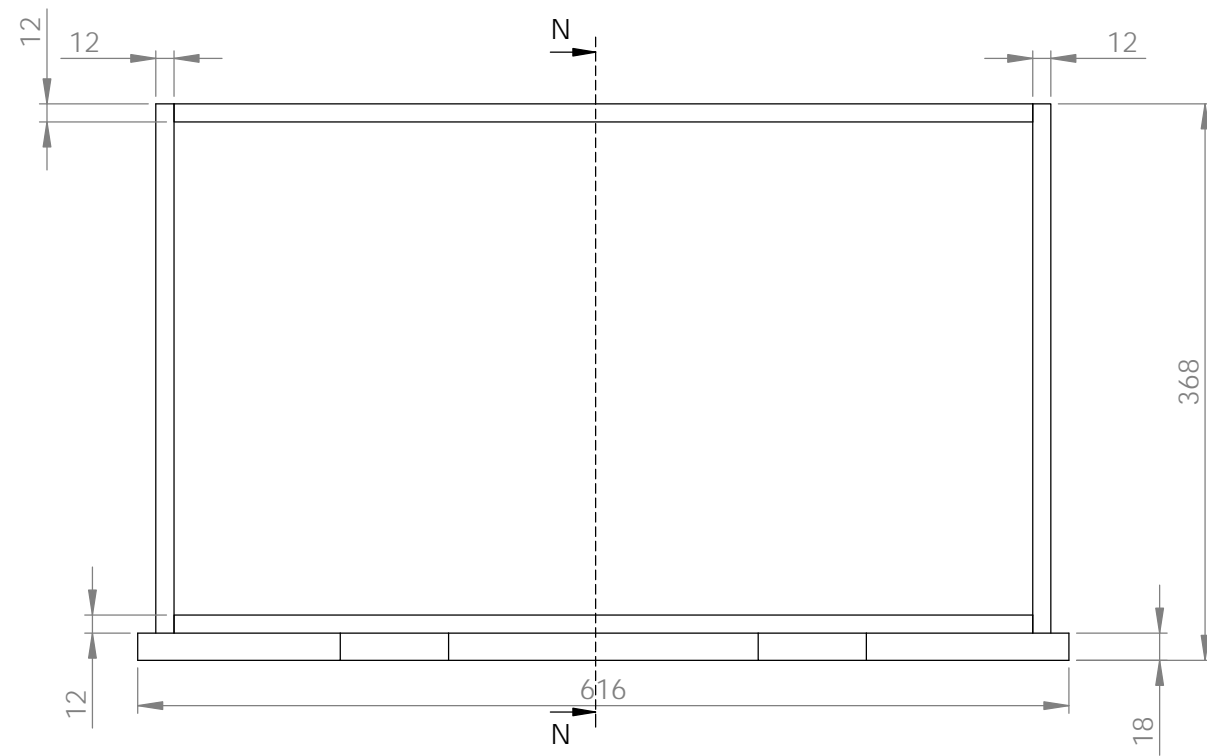


A

B

B

Part No.



Sign

Data



1

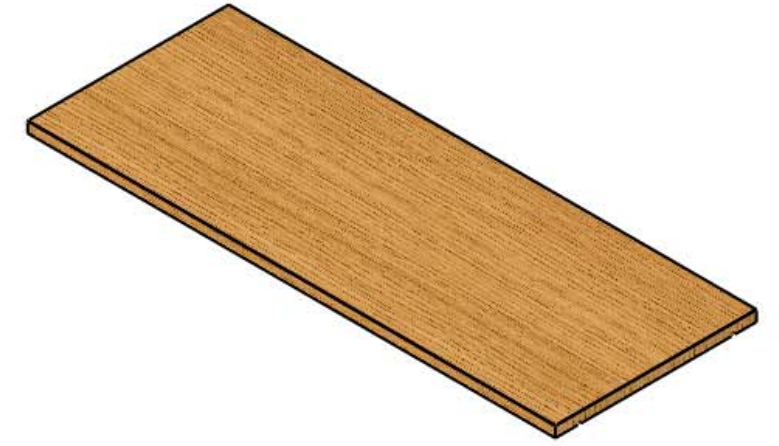
2

3

4

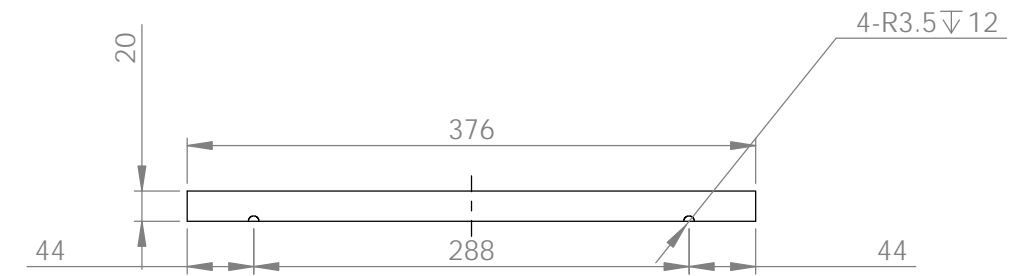
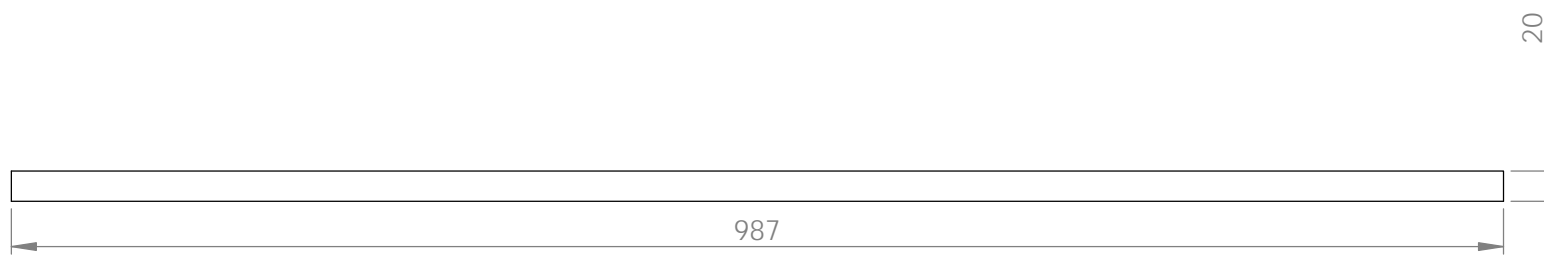
TV-2700

A



B

Part No.



Sign

Data

1

2

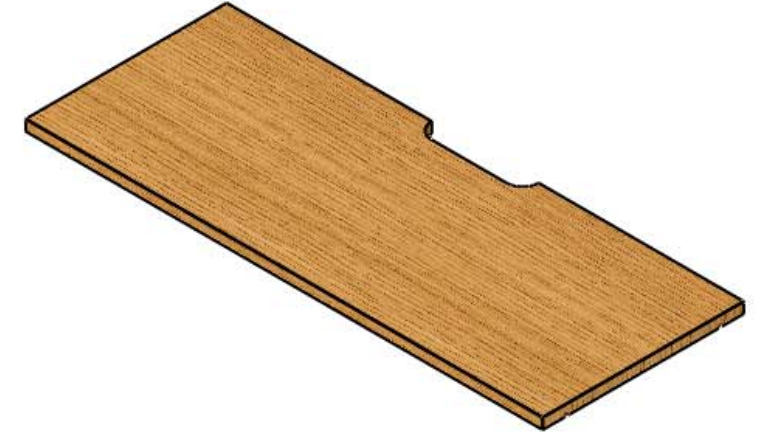
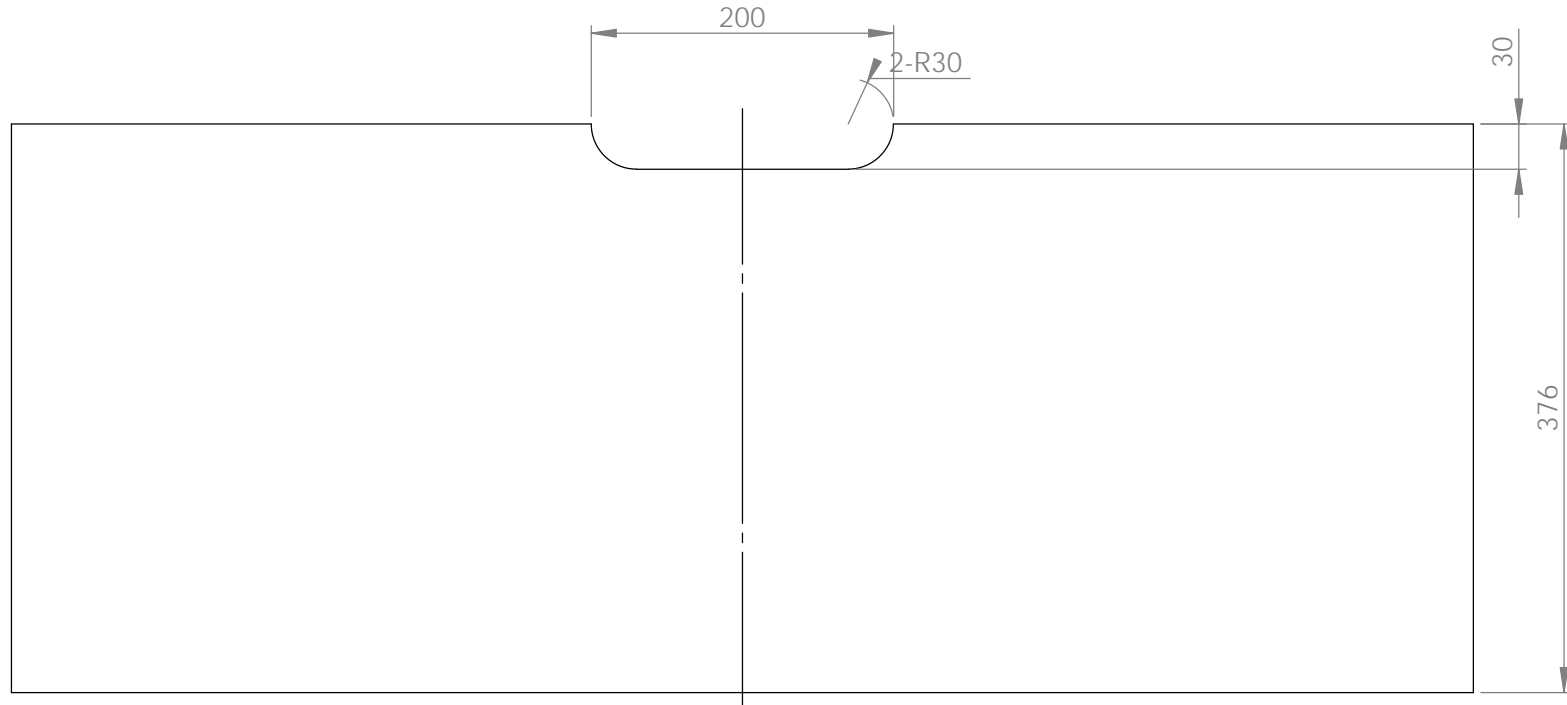
3

4



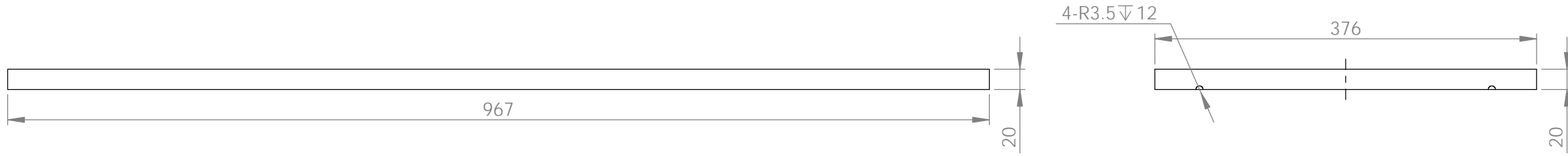
TV-2700

A



A

B



Part No.

B

Sign

Data



1

2

3

4