

TV-2700



A

A


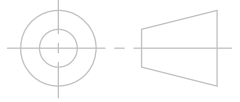
B

B

Part No.

Sign

Data

	Initial	Data	PROPRIETARY AND CONFIDENTIAL THE INFORMATION CONTAINED IN THIS DRAWING IS THE SOLE PROPERTY OF VS PTY LTD. ANY REPRODUCTION IN PART OR AS A WHOLE WITHOUT THE WRITTEN PERMISSION OF VS PTY LTD. IS PROHIBITED ©		Description:
Drawn					System:
Design	KL	2017/8/4	Third Angle Projection		Weight:
Checked					Size: A3
Approved					Rev: A
					Dwg.No.: TV-2700
					Sheet 1/10

1

2

3

4

TV-2700

2700

450

A

A

B

B

500

450

70

75

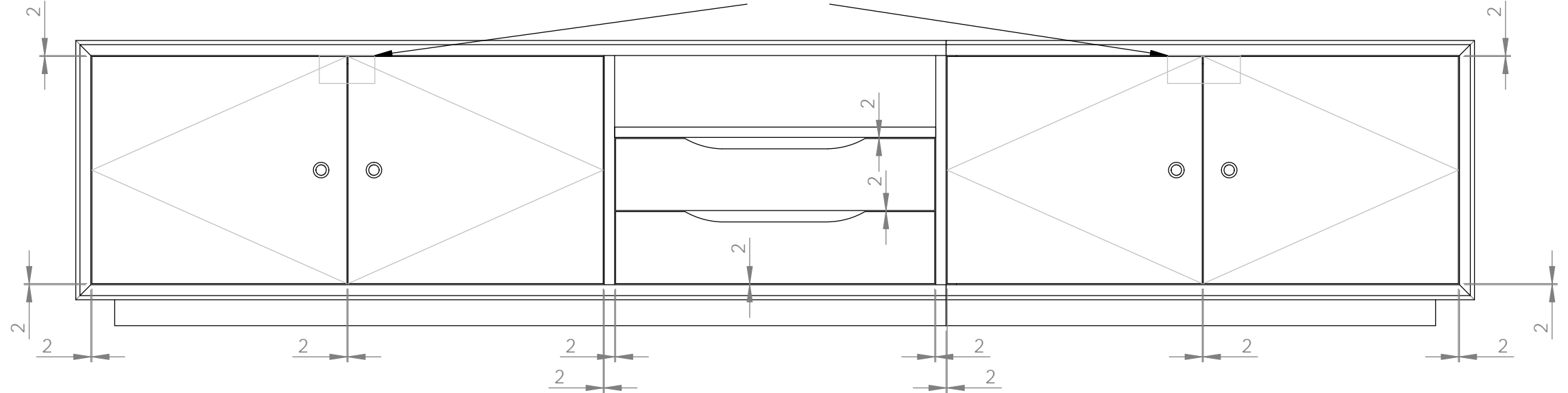
991

620


971

75

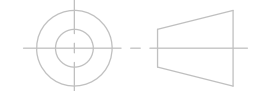
Part No.



Sign
Data

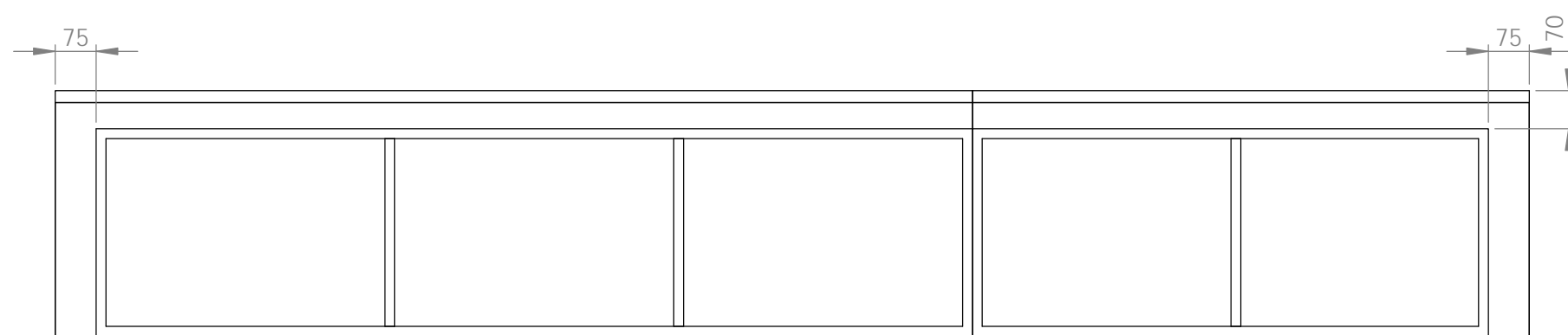
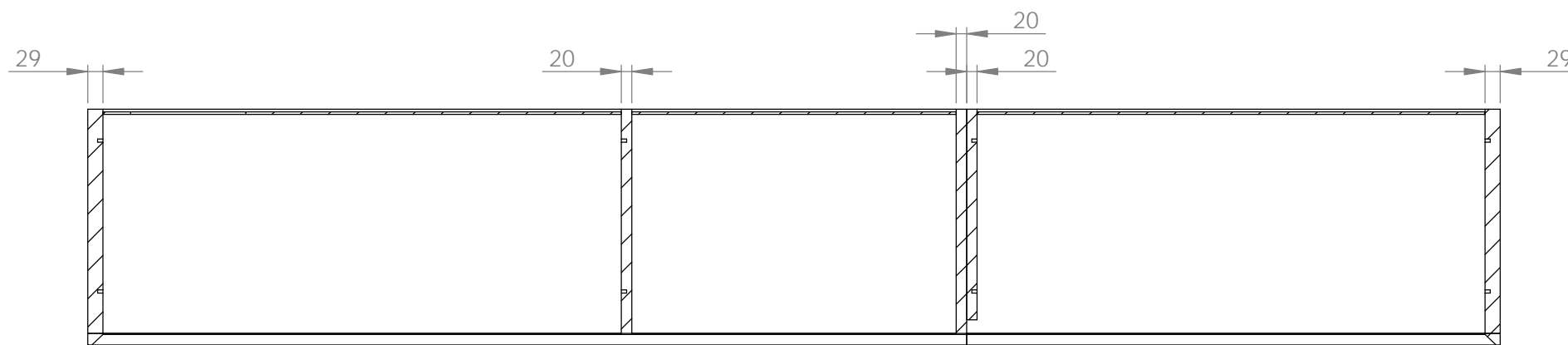
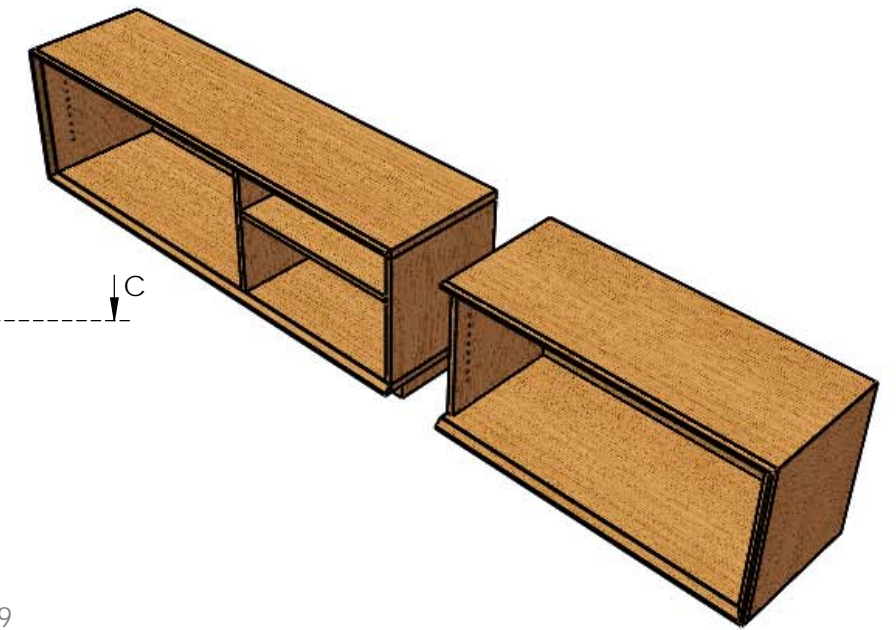
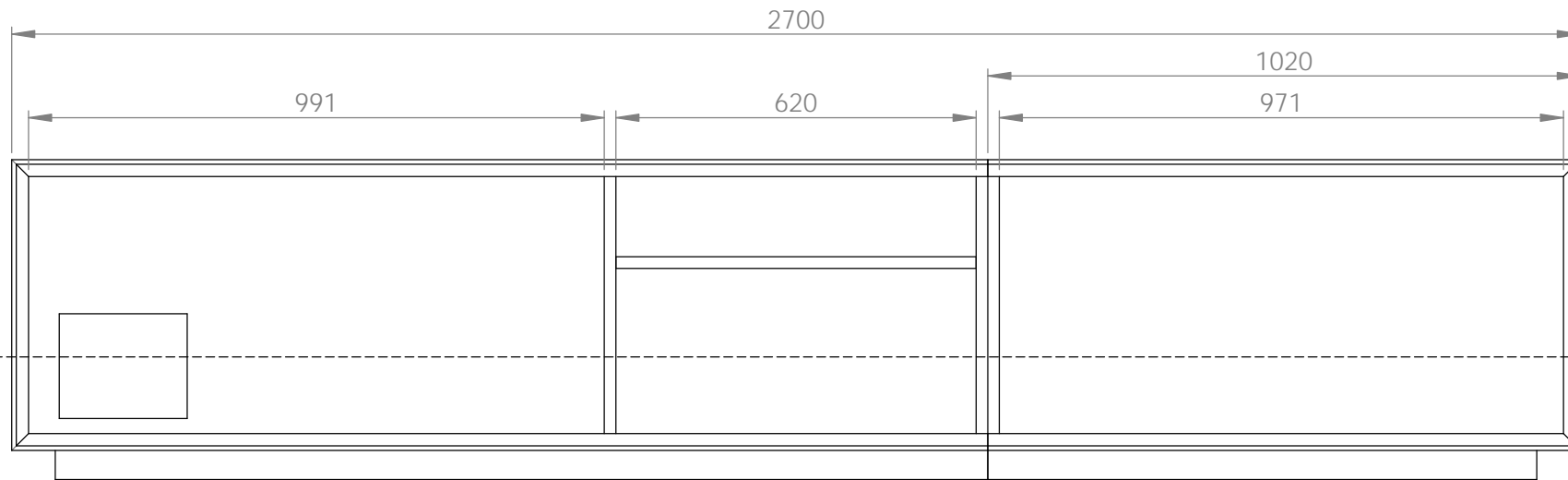
	Initial	Data	PROPRIETARY AND CONFIDENTIAL THE INFORMATION CONTAINED IN THIS DRAWING IS THE SOLE PROPERTY OF VS PTY LTD. ANY REPRODUCTION IN PART OR AS A WHOLE WITHOUT THE WRITTEN PERMISSION OF VS PTY LTD. IS PROHIBITED. ©		Description:		
Drawn					System:		Weight:
Design	KL	2017/8/4			Size: A3		Dwg.No.:
Checked					Rev: A		TV-2700
Approved					Sheet 2/10		

Third Angle Projection



TOLERANCES UNLESS
 0 ± .5mm 0 ± .5"
 .0 ± .05mm .0 ± .1"
 .00 ± .005mm .00 ± .01"
 ANGLES: ± .5° .000 ± .005°

TV-2700


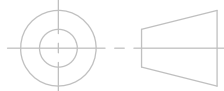


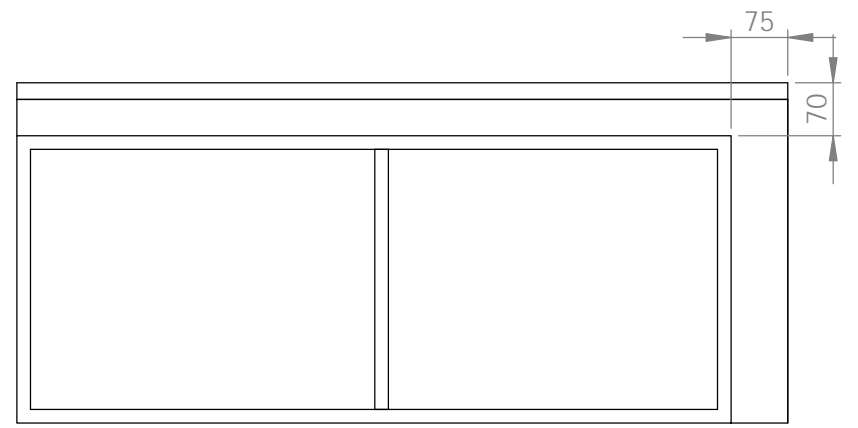
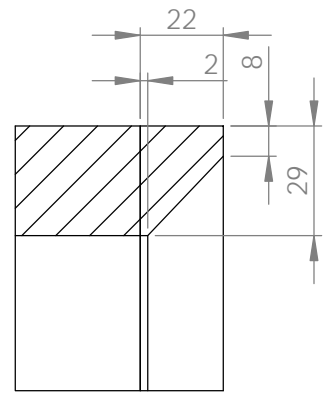
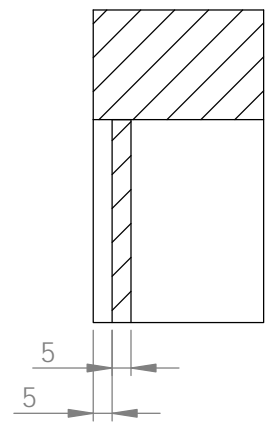
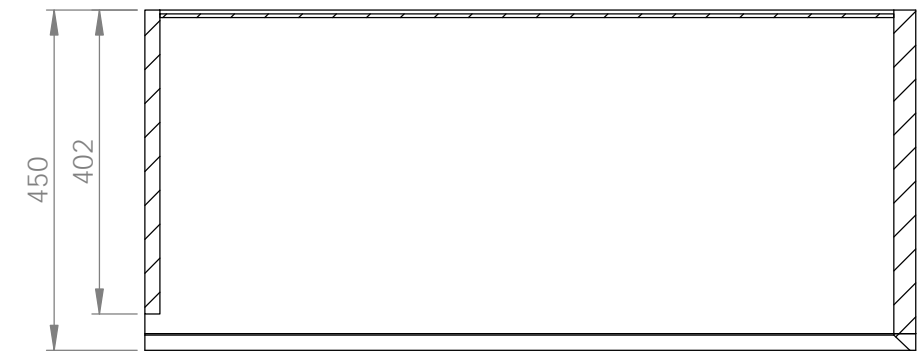
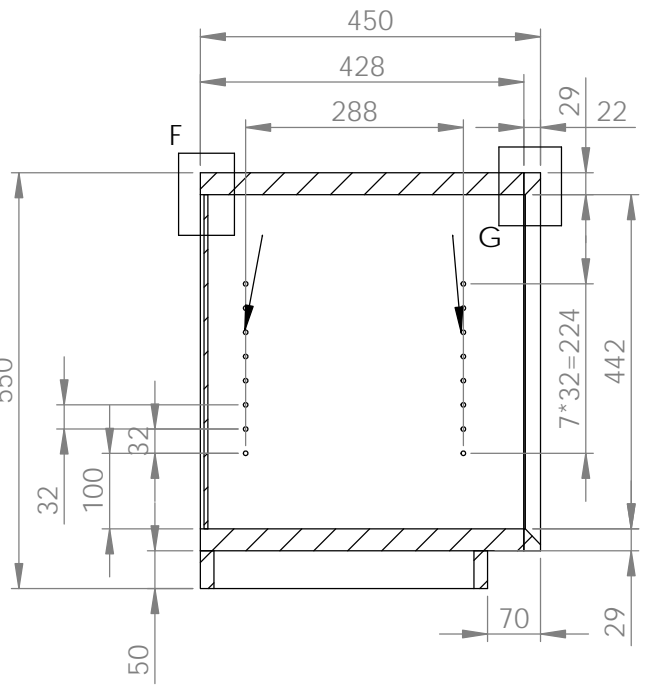
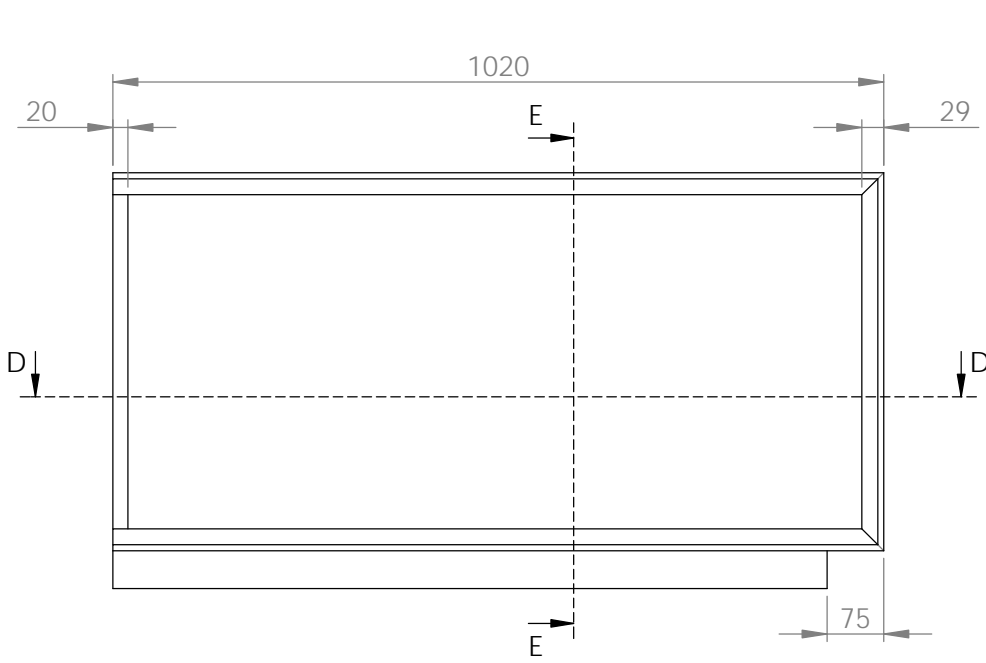
B

Part No.

Sign

Data

	Initial	Data	PROPRIETARY AND CONFIDENTIAL THE INFORMATION CONTAINED IN THIS DRAWING IS THE SOLE PROPERTY OF VS PTY LTD. ANY REPRODUCTION IN PART OR AS A WHOLE WITHOUT THE WRITTEN PERMISSION OF VS PTY LTD. IS PROHIBITED. ©		Description:		
Drawn			Third Angle Projection		System:		Weight:
Design	KL	2017/8/4		TOLERANCES UNLESS 0 ± .5mm 0 ± .5" .0 ± .05mm .0 ± .1" .00 ± .005mm .00 ± .01" ANGLES: ±.5° .000 ± .005°	Size: A3	Dwg.No.:	
Checked					Rev: A	Sheet 3/10	TV-2700
Approved							



A

A


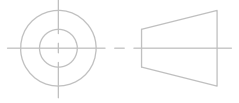
B

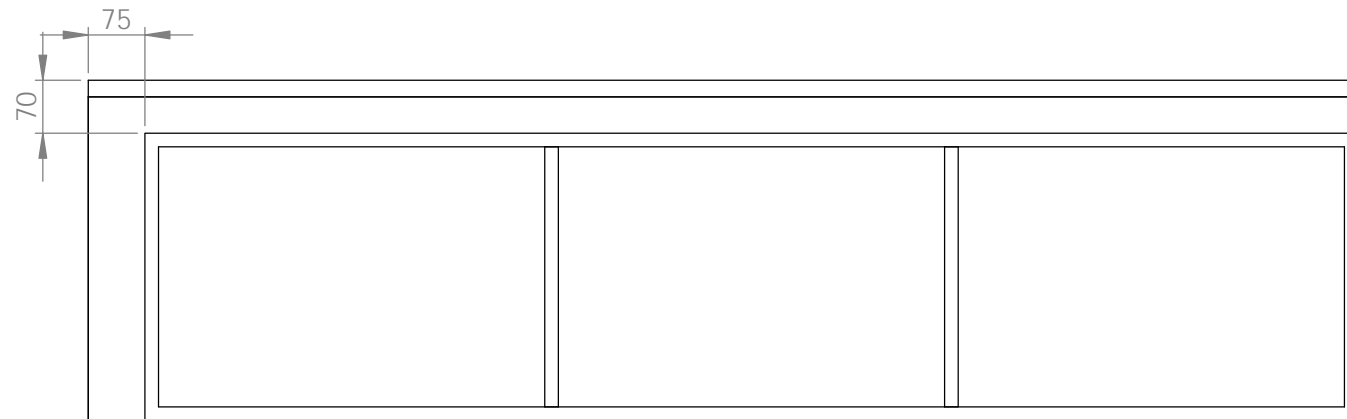
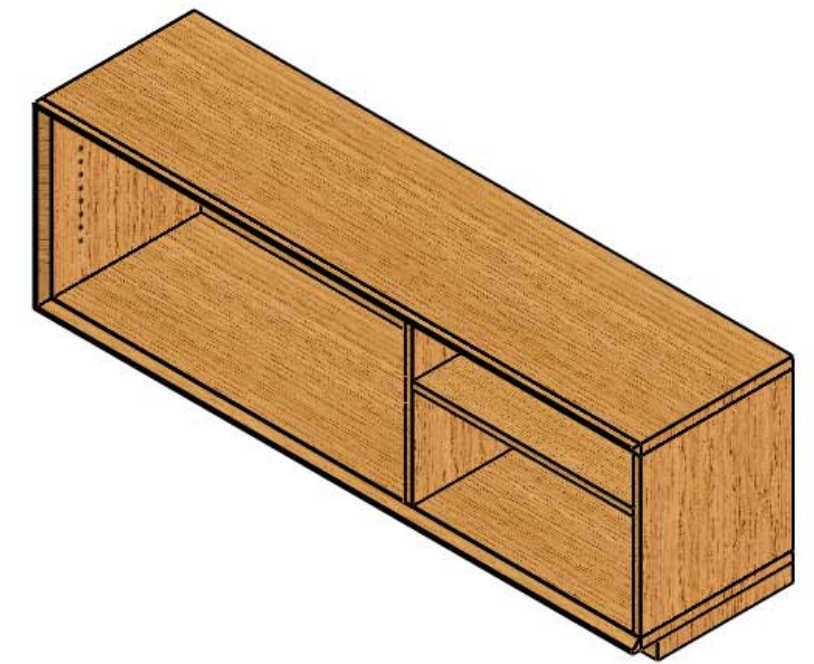
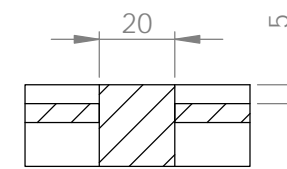
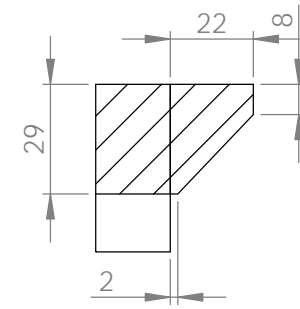
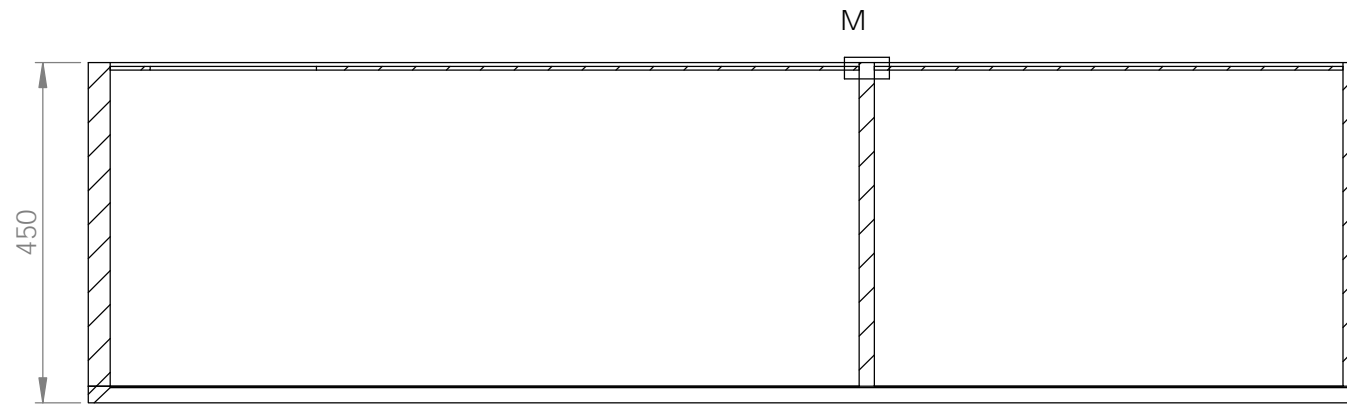
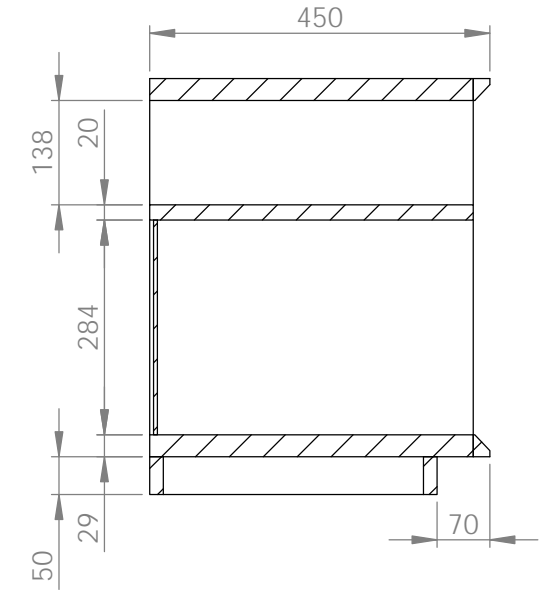
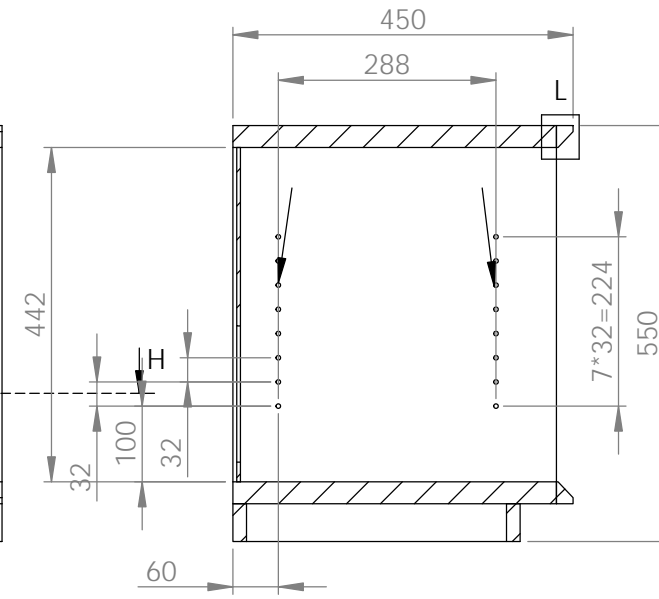
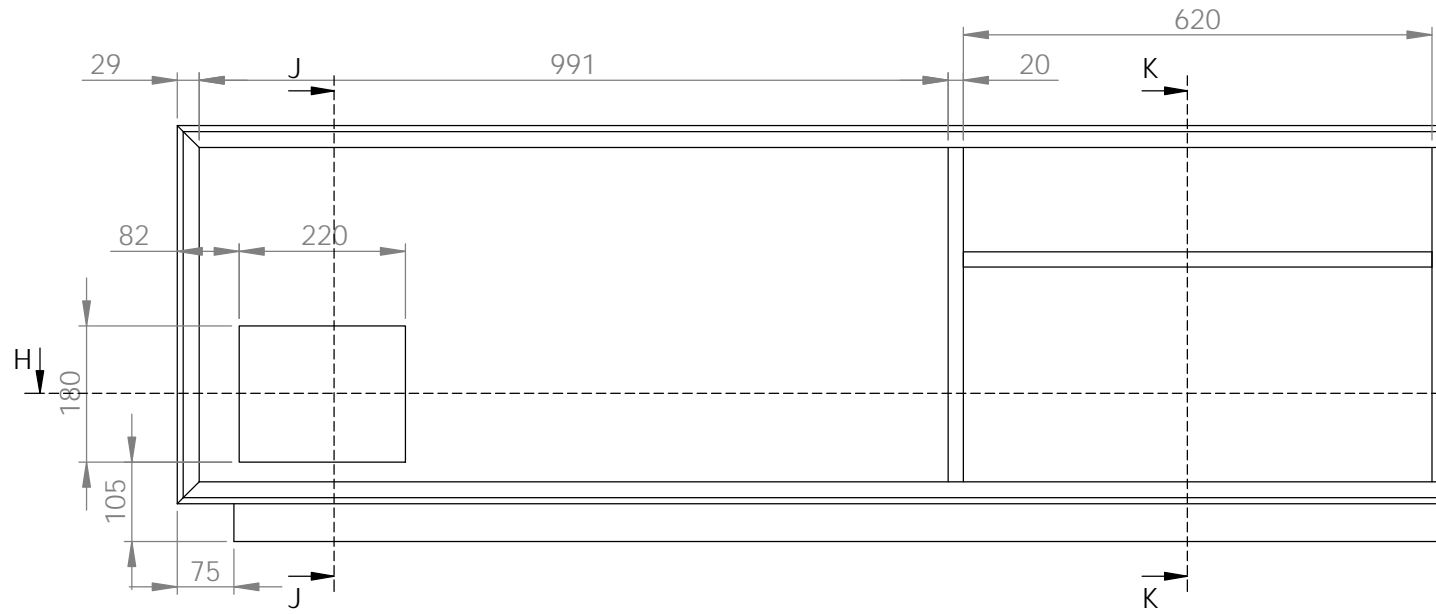
B

Part No.

Sign

Data

Initial	Data	PROPRIETARY AND CONFIDENTIAL THE INFORMATION CONTAINED IN THIS DRAWING IS THE SOLE PROPERTY OF VS PTY LTD. ANY REPRODUCTION IN PART OR AS A WHOLE WITHOUT THE WRITTEN PERMISSION OF VS PTY LTD. IS PROHIBITED. ©		Description:				
Drawn				System:		Weight:		
Design	KL 2017/8/4			Third Angle Projection		Size: A3	Dwg.No.:	
Checked					TOLERANCES UNLESS 0 ± .5mm 0 ± .5" .0 ± .05mm .0 ± .1" .00 ± .005mm .00 ± .01" ANGLES: ± .5° .000 ± .005°		Rev: A	Sheet 4/10
Approved							TV-2700	



A

A


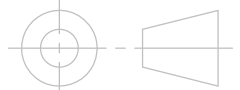
B

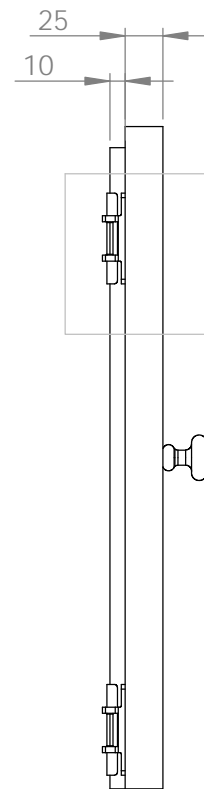
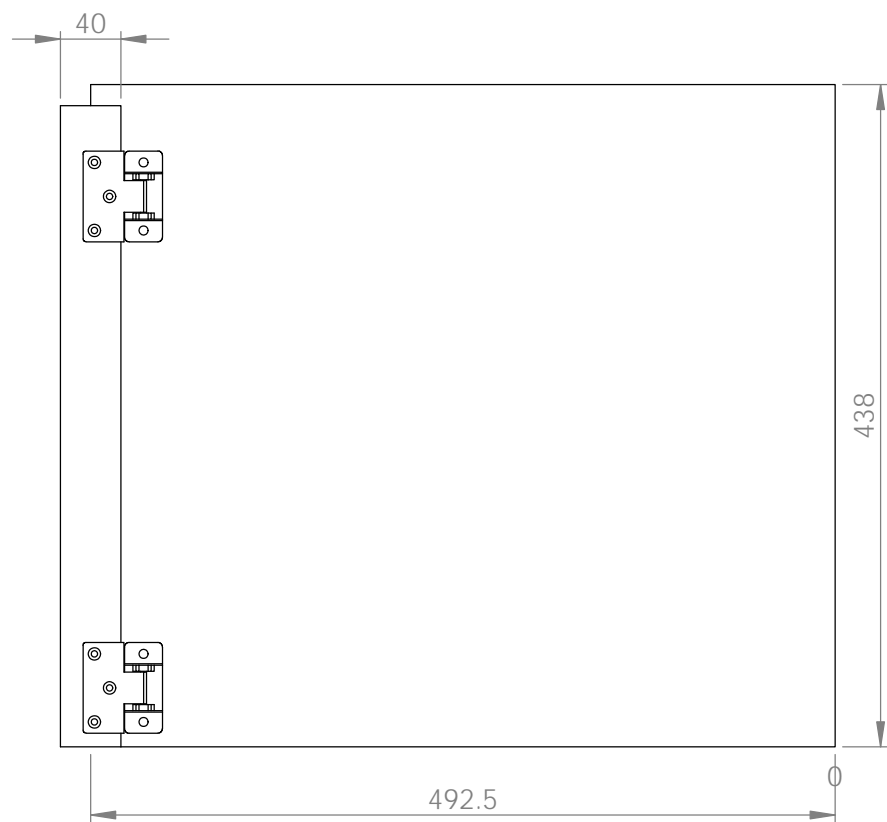
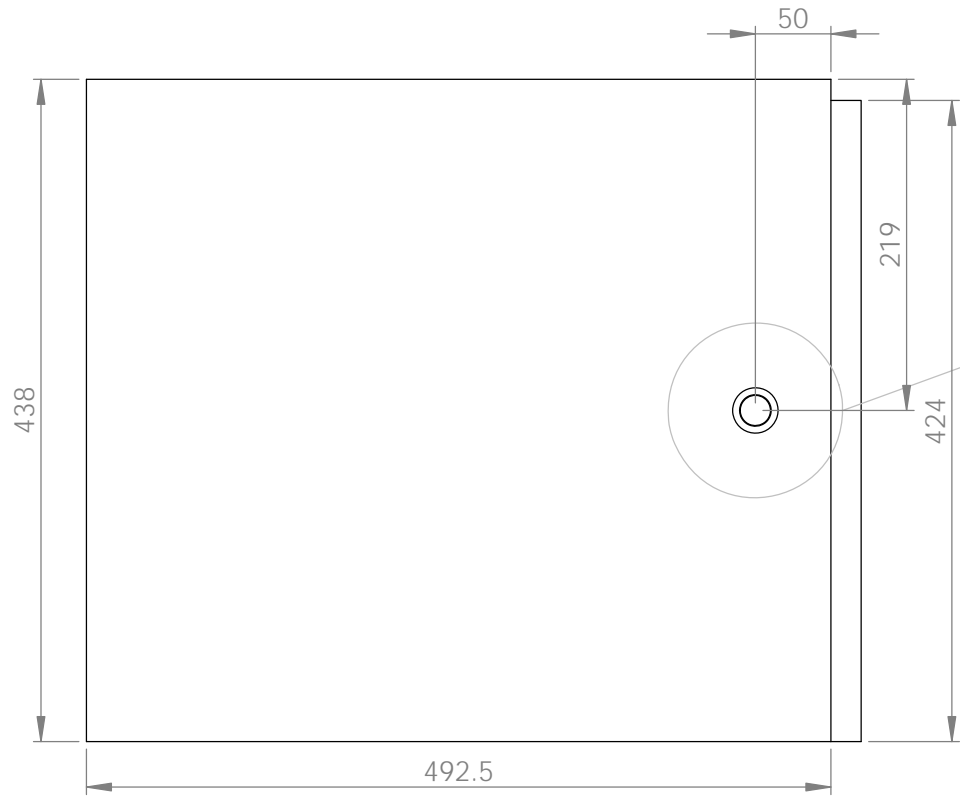
B

Part No.

Sign

Data

	Initial	Data	PROPRIETARY AND CONFIDENTIAL THE INFORMATION CONTAINED IN THIS DRAWING IS THE SOLE PROPERTY OF VS PTY LTD. ANY REPRODUCTION IN PART OR AS A WHOLE WITHOUT THE WRITTEN PERMISSION OF VS PTY LTD. IS PROHIBITED. ©	 Description: System: Weight:	
Drawn			Third Angle Projection		
Design	KL.	2017/8/4	 TOLERANCES UNLESS 0 ± .5mm 0 ± .5° .0 ± .05mm .0 ± .1° .00 ± .005mm .00 ± .01° ANGLES: ± .5° .000 ± .005°	Size: A3	
Checked				Rev: A	Dwg.No.:
Approved				Sheet 5/10	TV-2700



A

A

B

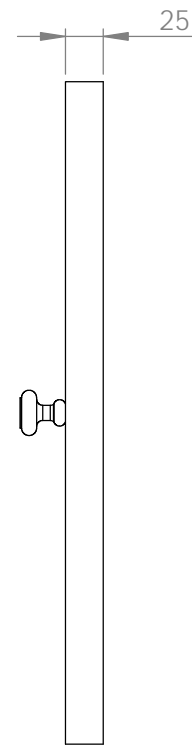
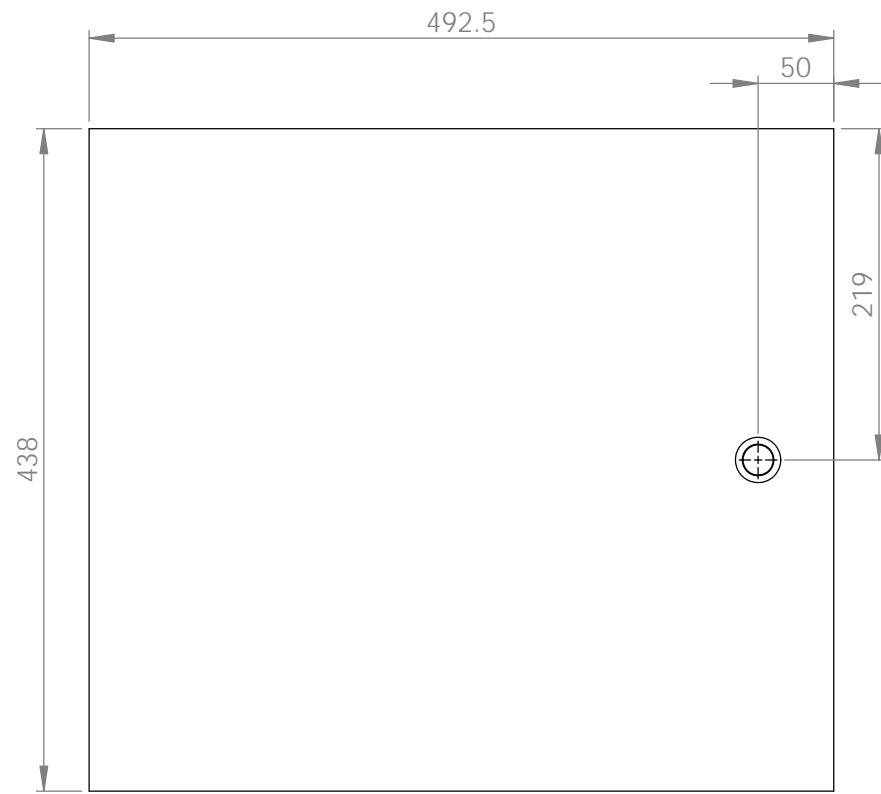
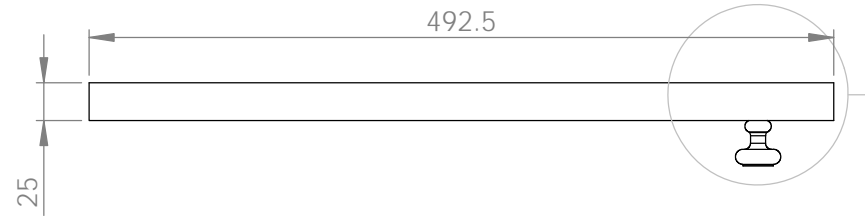
B

Part No.

Sign

Data

Initial	Data	PROPRIETARY AND CONFIDENTIAL THE INFORMATION CONTAINED IN THIS DRAWING IS THE SOLE PROPERTY OF VS PTY LTD. ANY REPRODUCTION IN PART OR AS A WHOLE WITHOUT THE WRITTEN PERMISSION OF VS PTY LTD. IS PROHIBITED. ©	Description:	
Drawn			System:	Weight:
Design	KL	2017/8/4	Size: A3	
Checked			Rev: A	Dwg.No.:
Approved			Sheet 6/10	TV-2700



A

A


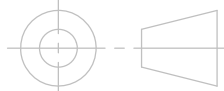
B

B

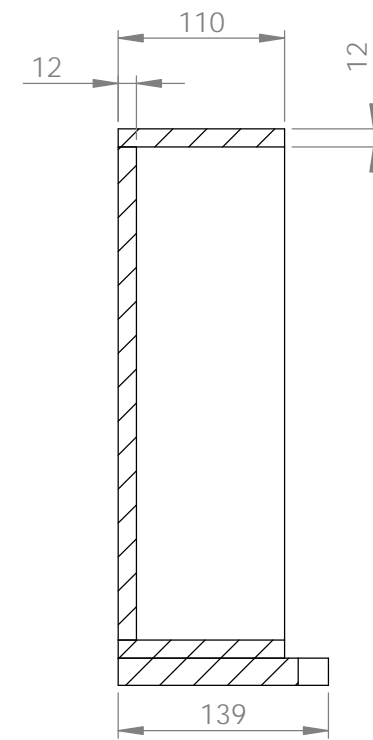
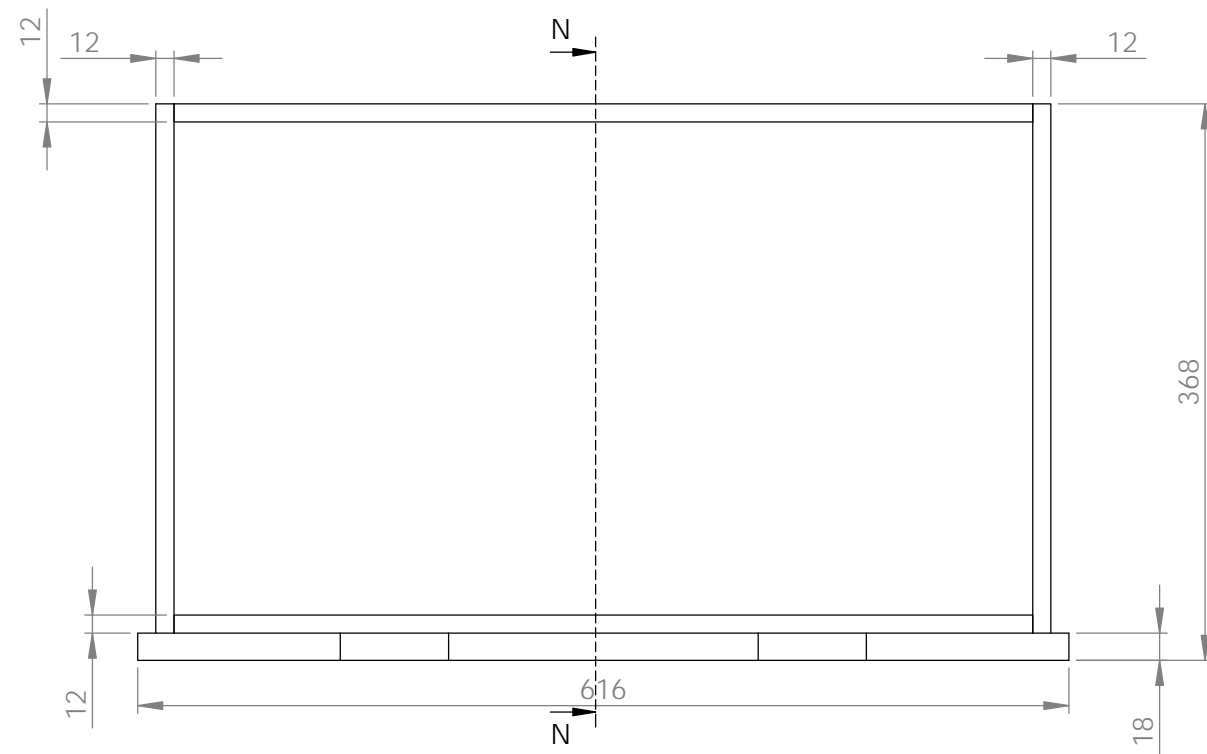
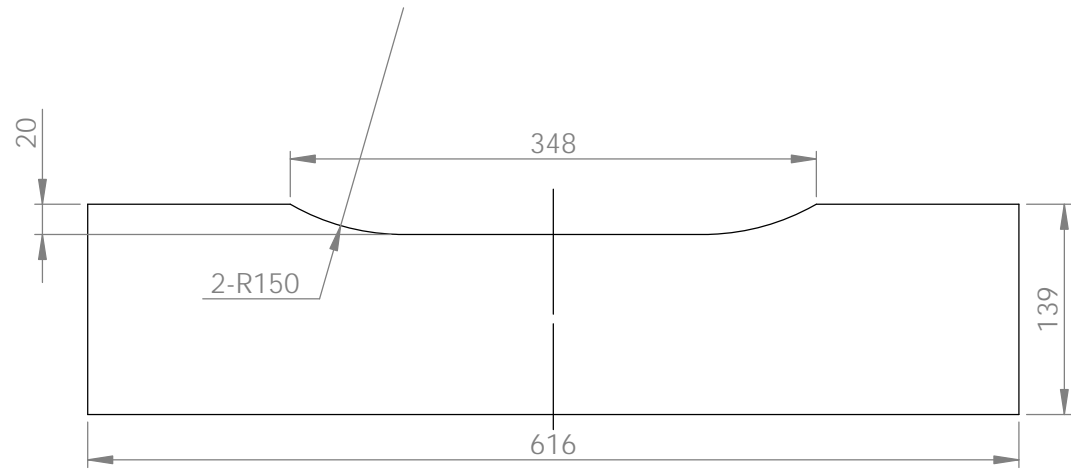
Part No.

Sign

Data


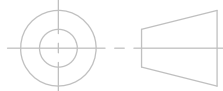
	Initial	Data	PROPRIETARY AND CONFIDENTIAL THE INFORMATION CONTAINED IN THIS DRAWING IS THE SOLE PROPERTY OF VS PTY LTD. ANY REPRODUCTION IN PART OR AS A WHOLE WITHOUT THE WRITTEN PERMISSION OF VS PTY LTD. IS PROHIBITED ©		Description:		
Drawn					System:		Weight:
Design	KL	2017/8/4			Third Angle Projection		
Checked						TOLERANCES UNLESS 0 ± .5mm 0 ± .5" .0 ± .05mm .0 ± .1" .00 ± .005mm .00 ± .01" ANGLES: ± .5° .000 ± .005°	
Approved						Size: A3 Rev: A Sheet 7/10	Dwg.No.: TV-2700

TV-2700

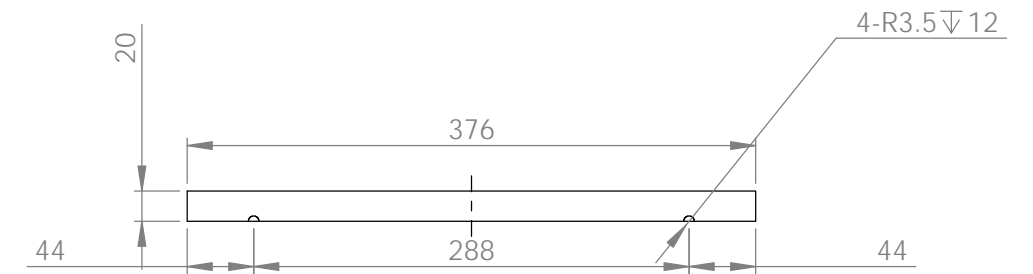
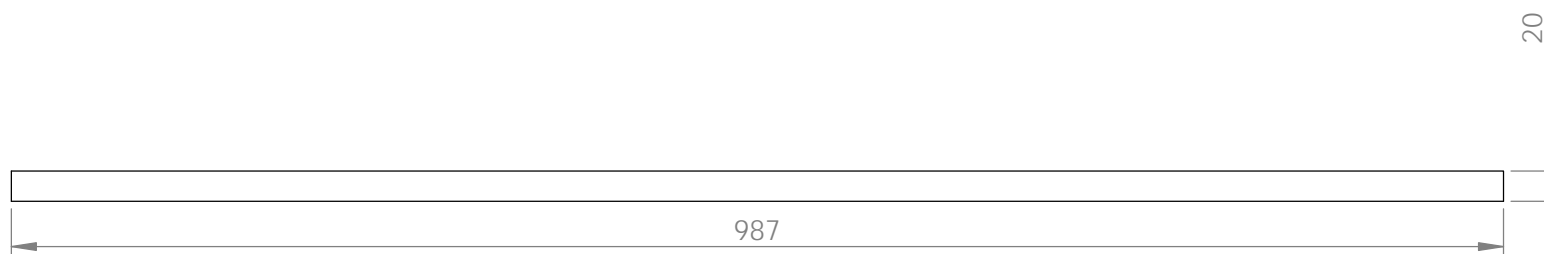


Part No.

Sign
Data

	Initial	Data	PROPRIETARY AND CONFIDENTIAL THE INFORMATION CONTAINED IN THIS DRAWING IS THE SOLE PROPERTY OF VS PTY LTD. ANY REPRODUCTION IN PART OR AS A WHOLE WITHOUT THE WRITTEN PERMISSION OF VS PTY LTD. IS PROHIBITED. ©		Description:	
Drawn			Third Angle Projection		System: Weight:	
Design	KL	2017/8/4		Size: A3		Dwg.No.: TV-2700
Checked				Rev: A	Sheet 8/10	
Approved						

TV-2700



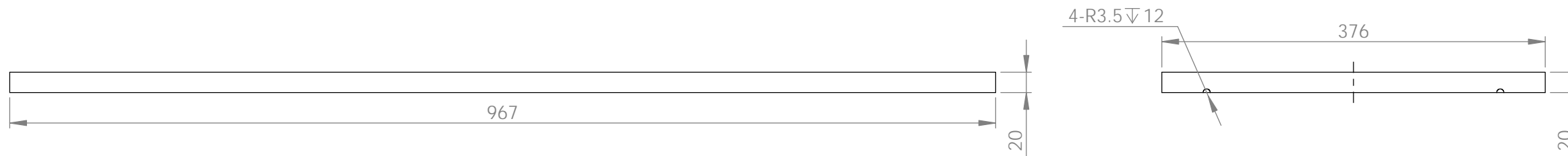
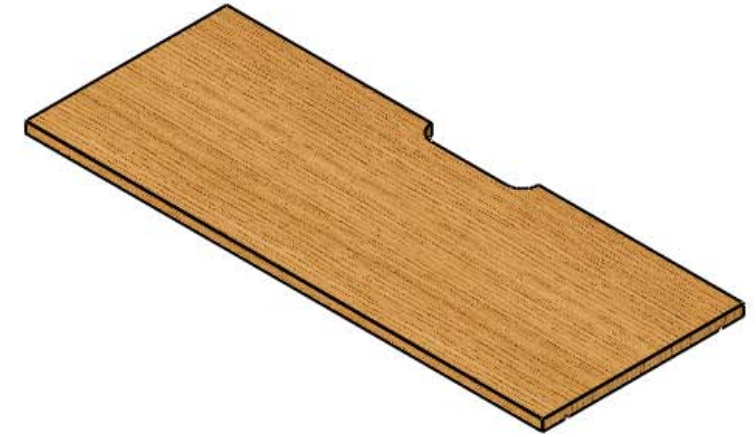
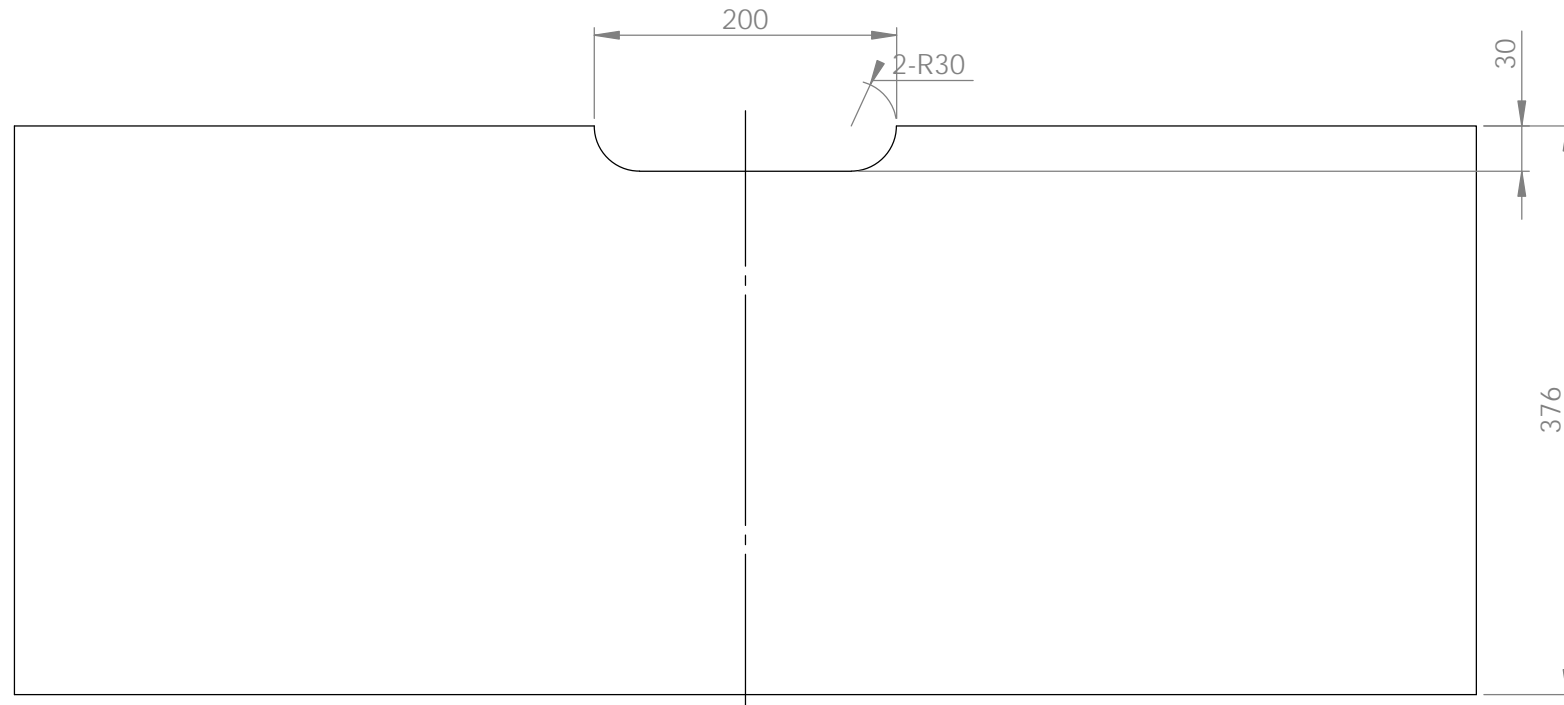
Part No.

Sign

Data

	Initial	Data	PROPRIETARY AND CONFIDENTIAL THE INFORMATION CONTAINED IN THIS DRAWING IS THE SOLE PROPERTY OF VS PTY LTD. ANY REPRODUCTION IN PART OR AS A WHOLE WITHOUT THE WRITTEN PERMISSION OF VS PTY LTD. IS PROHIBITED ©		Description:	
Drawn			Third Angle Projection		System: Weight:	
Design	KL	2017/8/4		TOLERANCES UNLESS		Size: A3
Checked				0 ± .5mm	0 ± .5°	Dwg.No.:
Approved				.0 ± .05mm	.0 ± .1°	TV-2700
				.00 ± .005mm	.00 ± .01°	Rev: A
				ANGLES: ± .5°	.000 ± .005°	Sheet 9/10

TV-2700



A

A


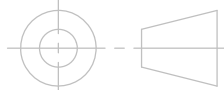
B

B

Part No.

Sign

Data

	Initial	Data	PROPRIETARY AND CONFIDENTIAL THE INFORMATION CONTAINED IN THIS DRAWING IS THE SOLE PROPERTY OF VS PTY LTD. ANY REPRODUCTION IN PART OR AS A WHOLE WITHOUT THE WRITTEN PERMISSION OF VS PTY LTD. IS PROHIBITED ©		Description:	
Drawn					System:	
Design	KL	2017/8/4	Third Angle Projection	TOLERANCES UNLESS 0 ± .5mm 0 ± .5" .0 ± .05mm .0 ± .1" .00 ± .005mm .00 ± .01" ANGLES: ± .5° .000 ± .005"	Size: A3	Dwg.No.:
Checked					Rev: A	Sheet 10/10
Approved						

1

2

3

4